

Product information sheet AXIA III 5 S

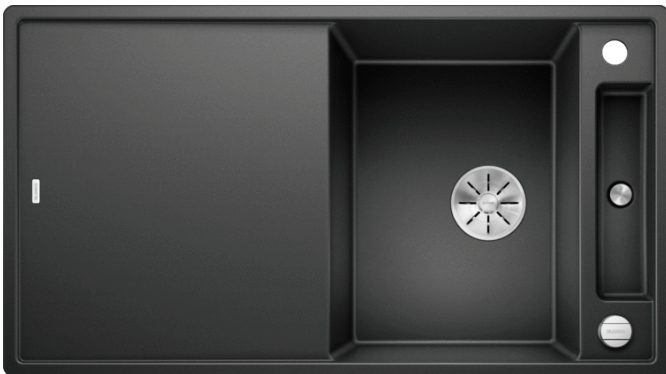
Item no. 523215

Benefits



- Smooth, ergonomic work flow along two axis
- Design that is notable for clear lines and the ultra-narrow, flat rim
- Tight radii for maximum utilisation of the surface and volume
- Multifunctional colander can also be freely positioned in the main bowl for easy food preparation
- Movable cutting board for working directly into main bowl or colander (optional ash compound or glass)
- High-quality features with pop-up waste, covered C-overflow™ and InFino™ drain system – elegantly integrated and extremely easy-care
- Also available as flush mount version

Colours



SILGRANIT® PuraDur® anthracite

Available colours:

anthracite
rock grey
coffee
alu metallic
pearl grey
white
jasmine
tartufo
black

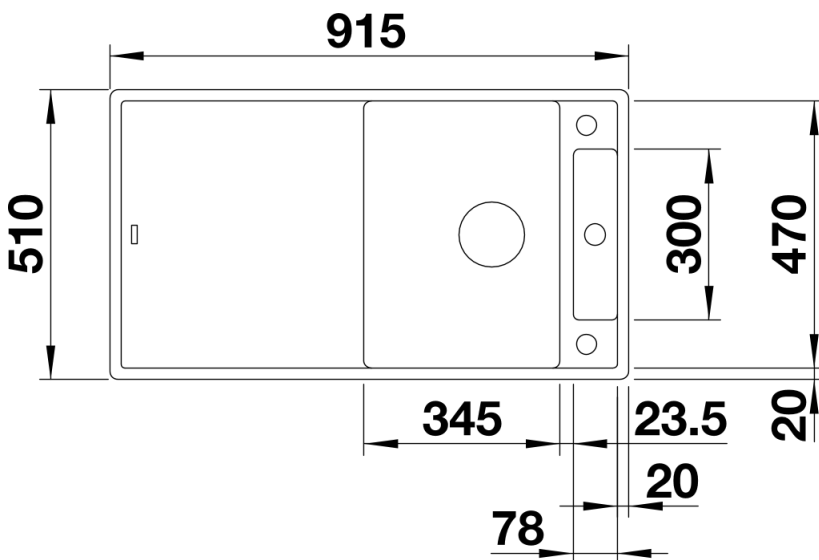
Planning information

- Cut out size: 895 x 490 x R15

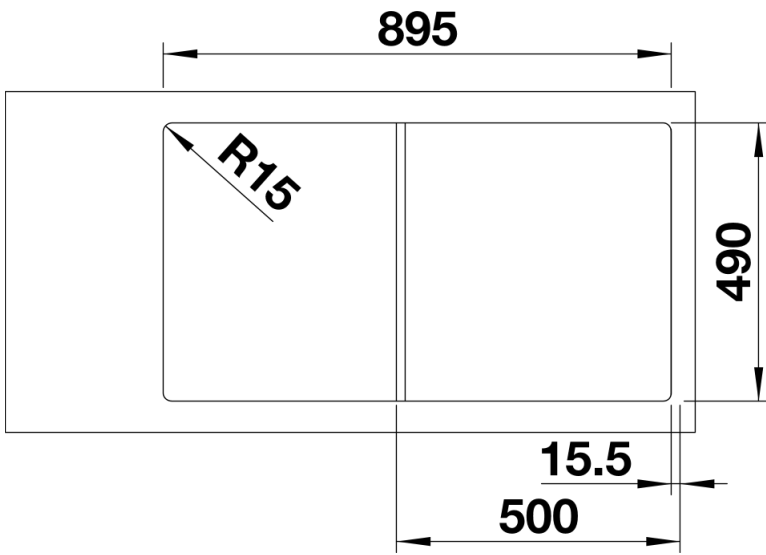
Scope of supply

- Glass cutting board, Waste fitting with space-saving pipe, 3 ½" InFino™ basket strainer, pop-up waste

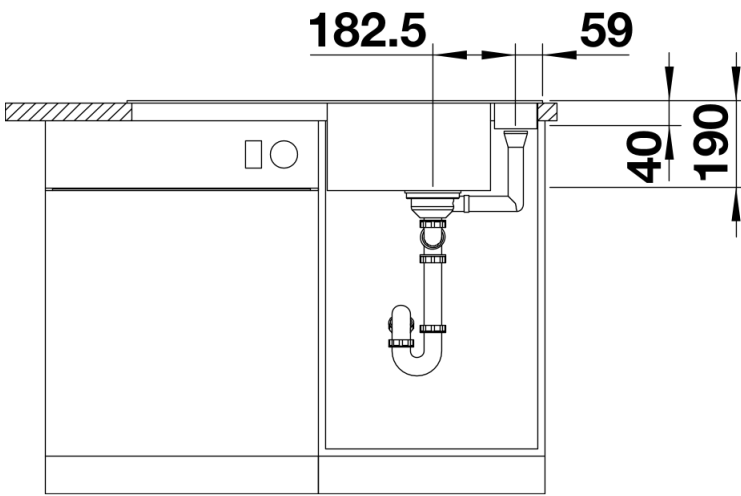
Details



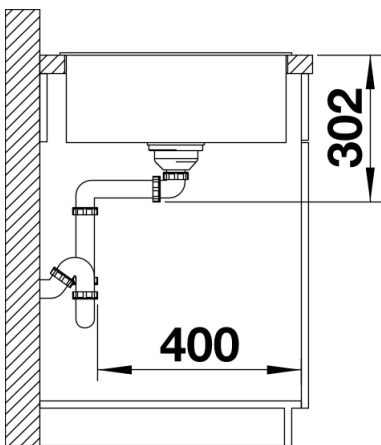
Top view



Cut-out



Front view



Side view